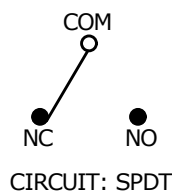


P.C. MOUNTING

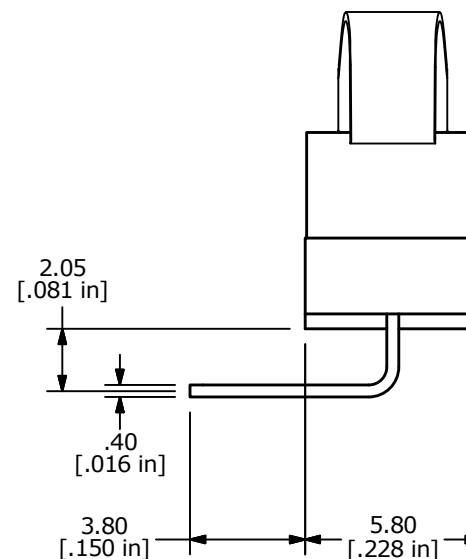
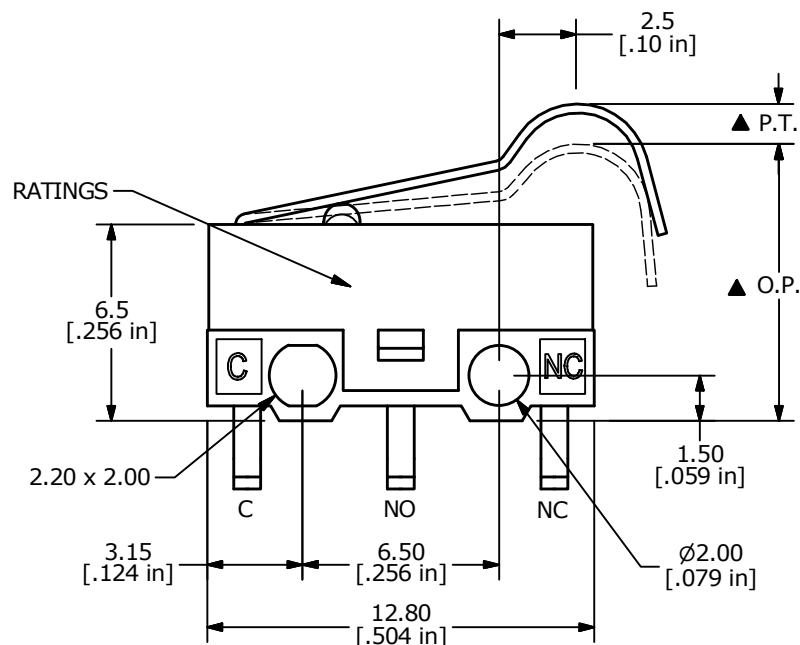
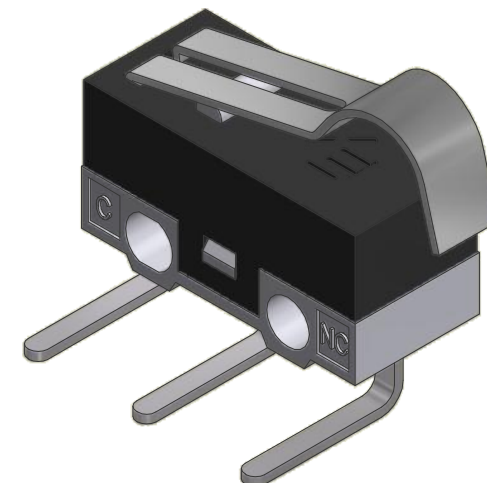
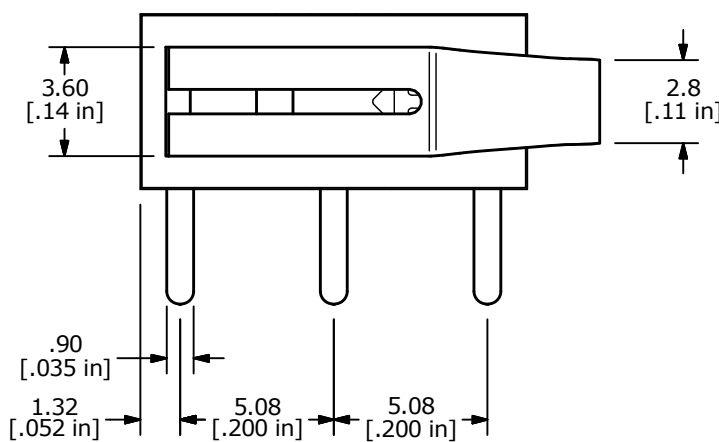


O.P. (MM)	P.T. (MM)
9.65±0.8	1.35 NOM.

O.P. = OPERATING POINT
P.T. = PRE-TRAVEL

NOTES:

1. ALL DIMENSIONS IN MM [INCH]
2. GENERAL TOLERANCE: X.X = ± 0.4
X.XX = ± 0.25
- ▲ 3. RATING: 0.1A @ 5VDC
- ▲ 4. OPERATING FORCE: 20 +10/-5 gf
5. OPERATING TEMP: -25°C to 75°C
6. ELECTRICAL LIFE: 10,000 CYCLES MIN.
7. MECHANICAL LIFE: 1,000,000 CYCLES MIN.
8. INSULATION RESISTANCE: 100 MEGA-OHMS MIN.
9. DIELECTRIC STRENGTH: 500VAC - 1 MINUTE
10. ▲ DENOTES CRITICAL PARAMETER.
11. PACKAGED IN TRAYS, 120 PIECES PER TRAY.



REV	PCR NO	DESCRIPTION	DATE	BY
C	23707	UPDATE HOUSING	12/13/18	MW
B	19095	CHANGE NOTE 4 (FORCE TOLERANCE)	5/25/10	BLR
A	18288	RELEASE FOR PRODUCTION	10/31/08	BLR



TITLE SS075Q103F020V1A				
SCALE 4:1	DATE 5/25/2010	DR BLR	DWG Q971022	REV C

THE INFORMATION CONTAINED IN THIS DOCUMENT IS PROPRIETARY TO E-SWITCH AND IS NOT TO BE COPIED OR TRANSFERRED